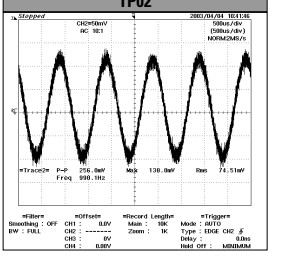
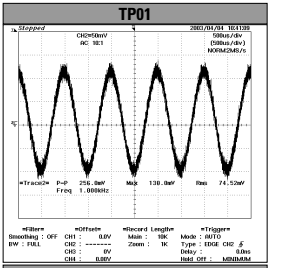
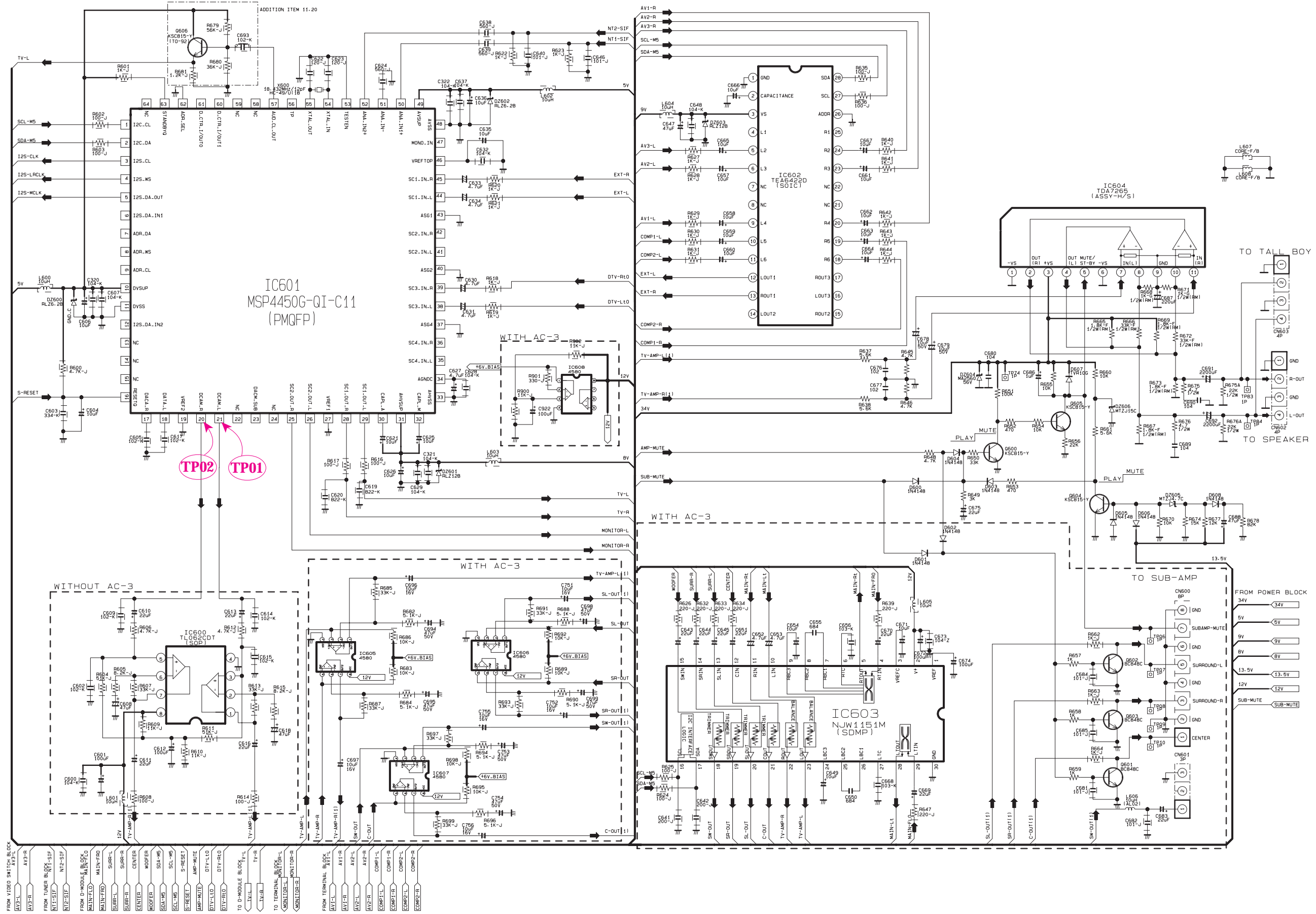


6. Schematic Diagrams

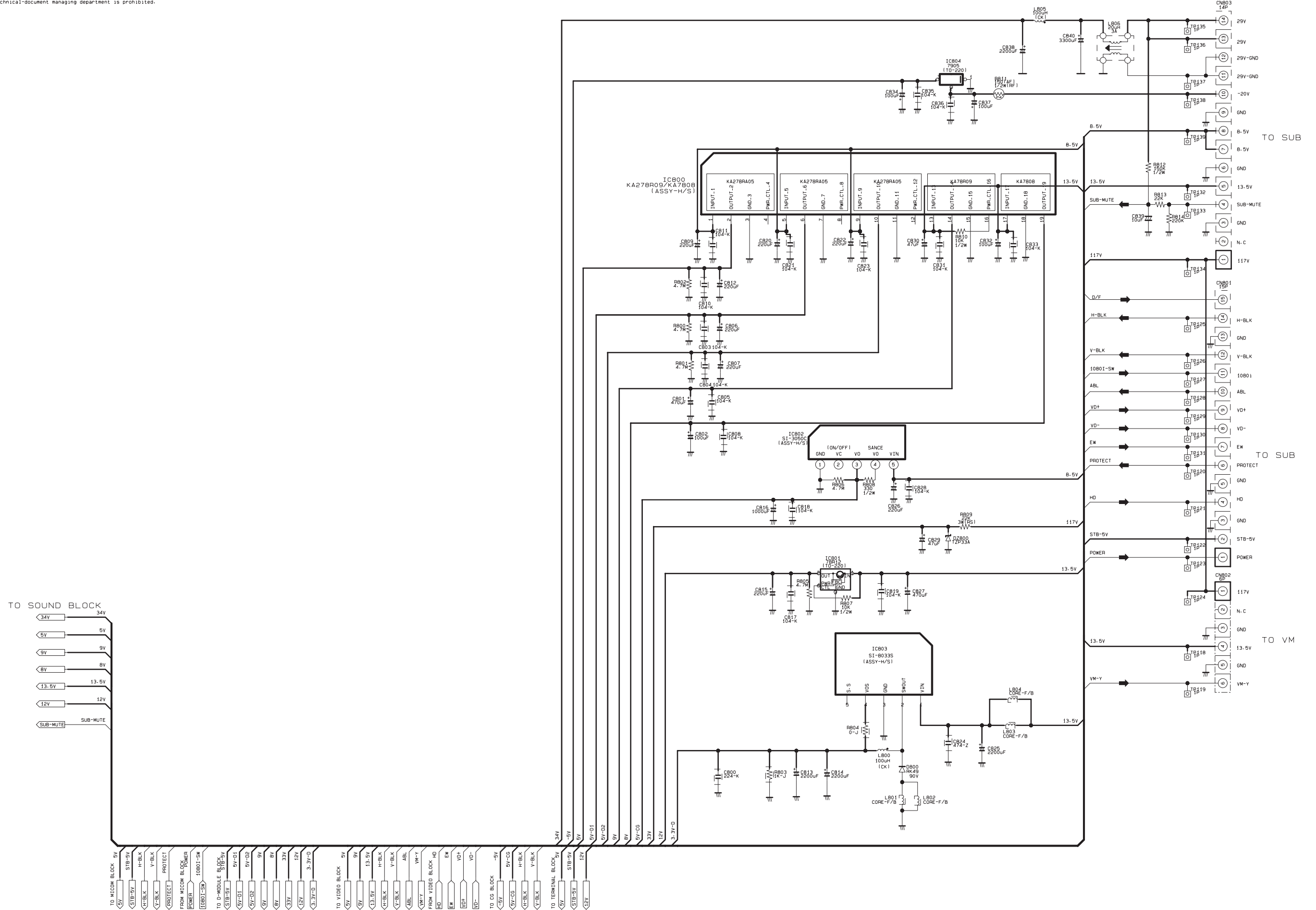
6-1 MAIN-1

This drawing is property of SEC
Use or copy of this drawing without proper permission from the appropriate
technical-document department is prohibited.

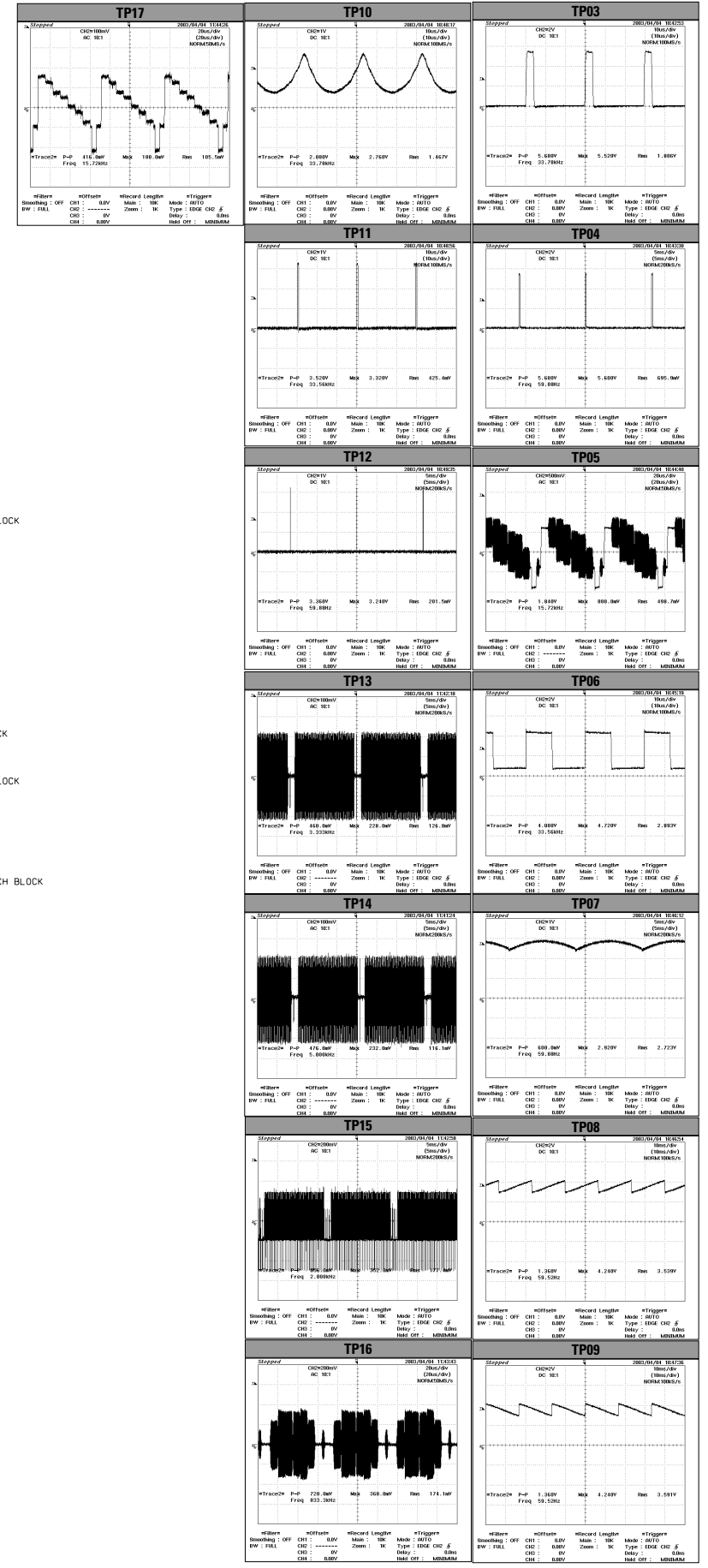
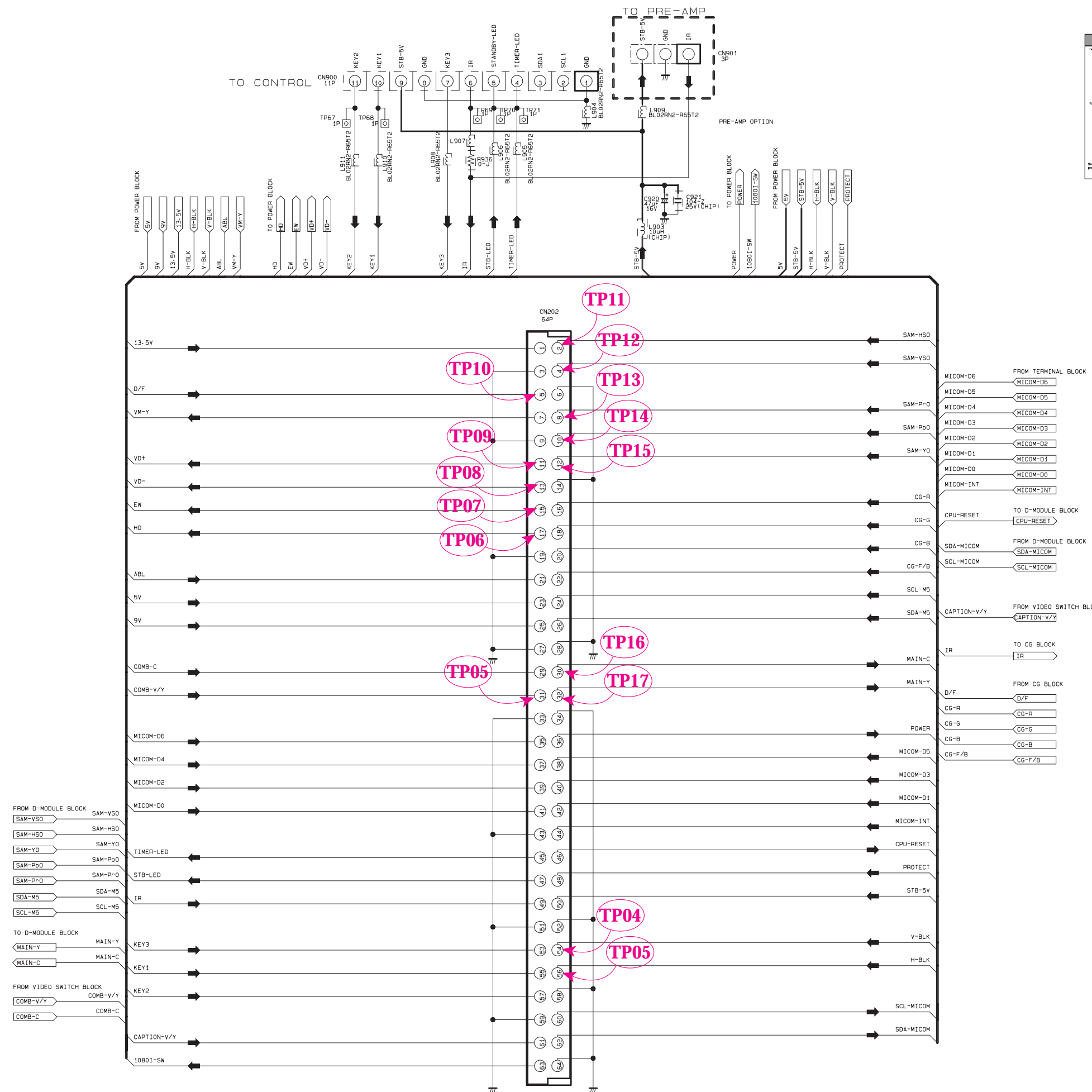


6-2 MAIN-2

This drawing is property of SEC
 Use or copy of this drawing without proper permission from the appropriate
 technical document managing department is prohibited.

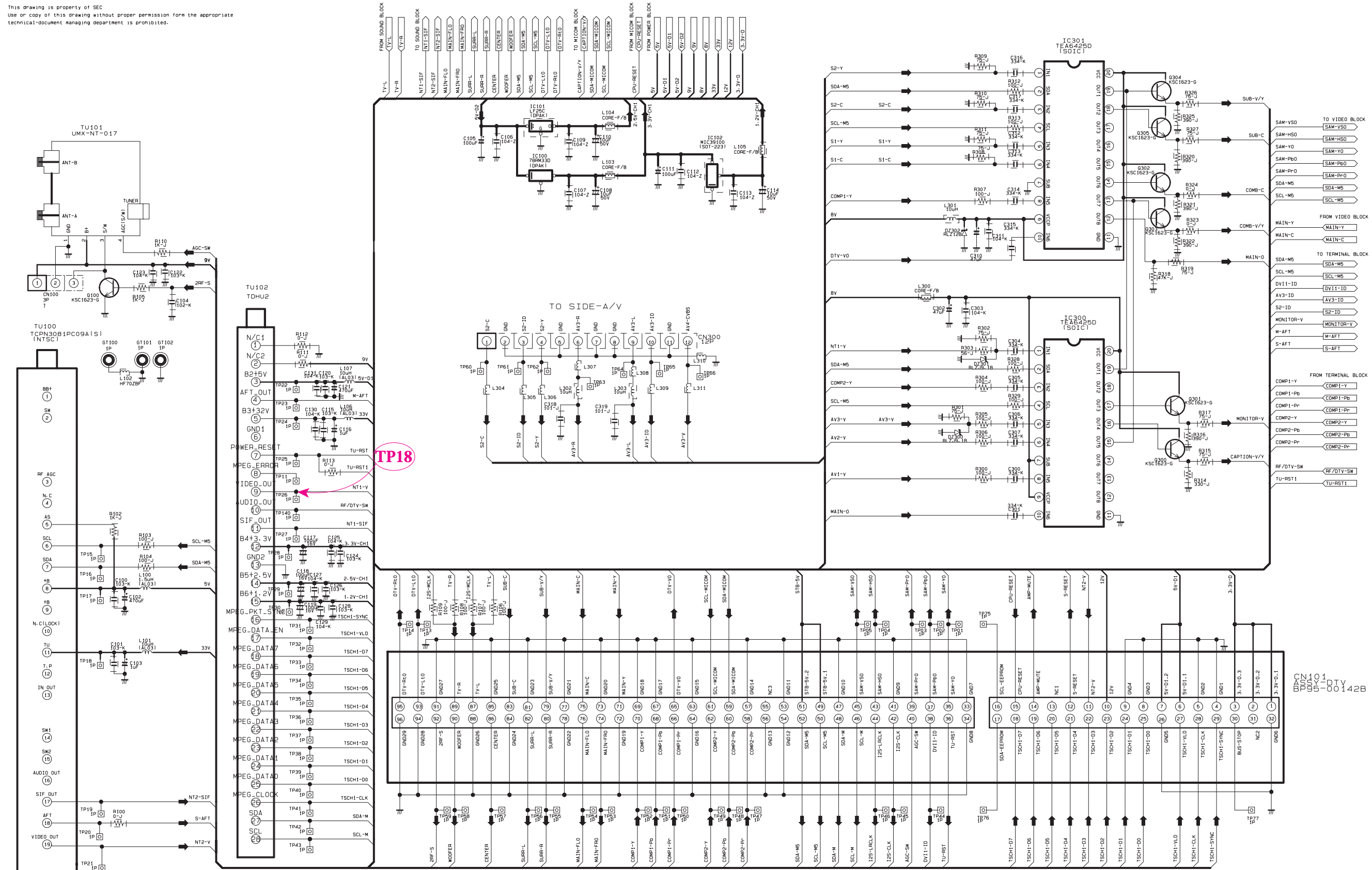
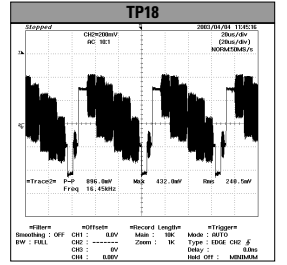


6-3 MAIN-3



6-4 MAIN-4

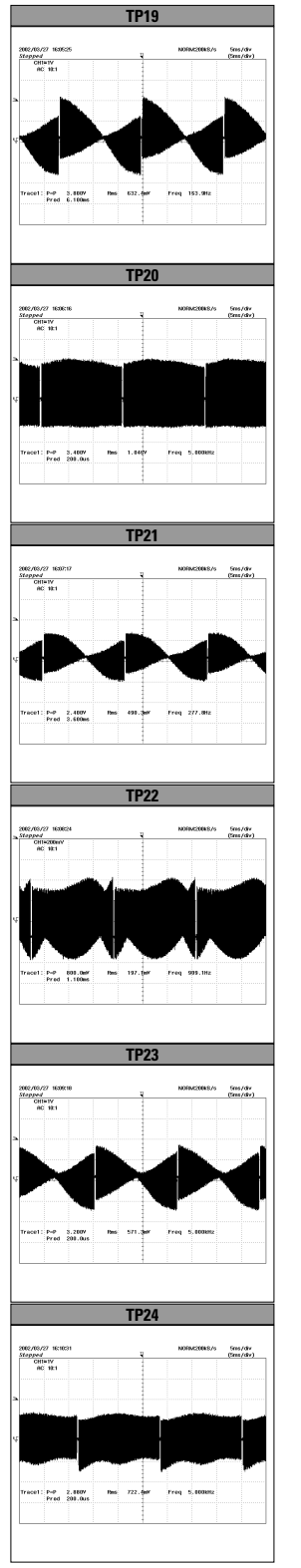
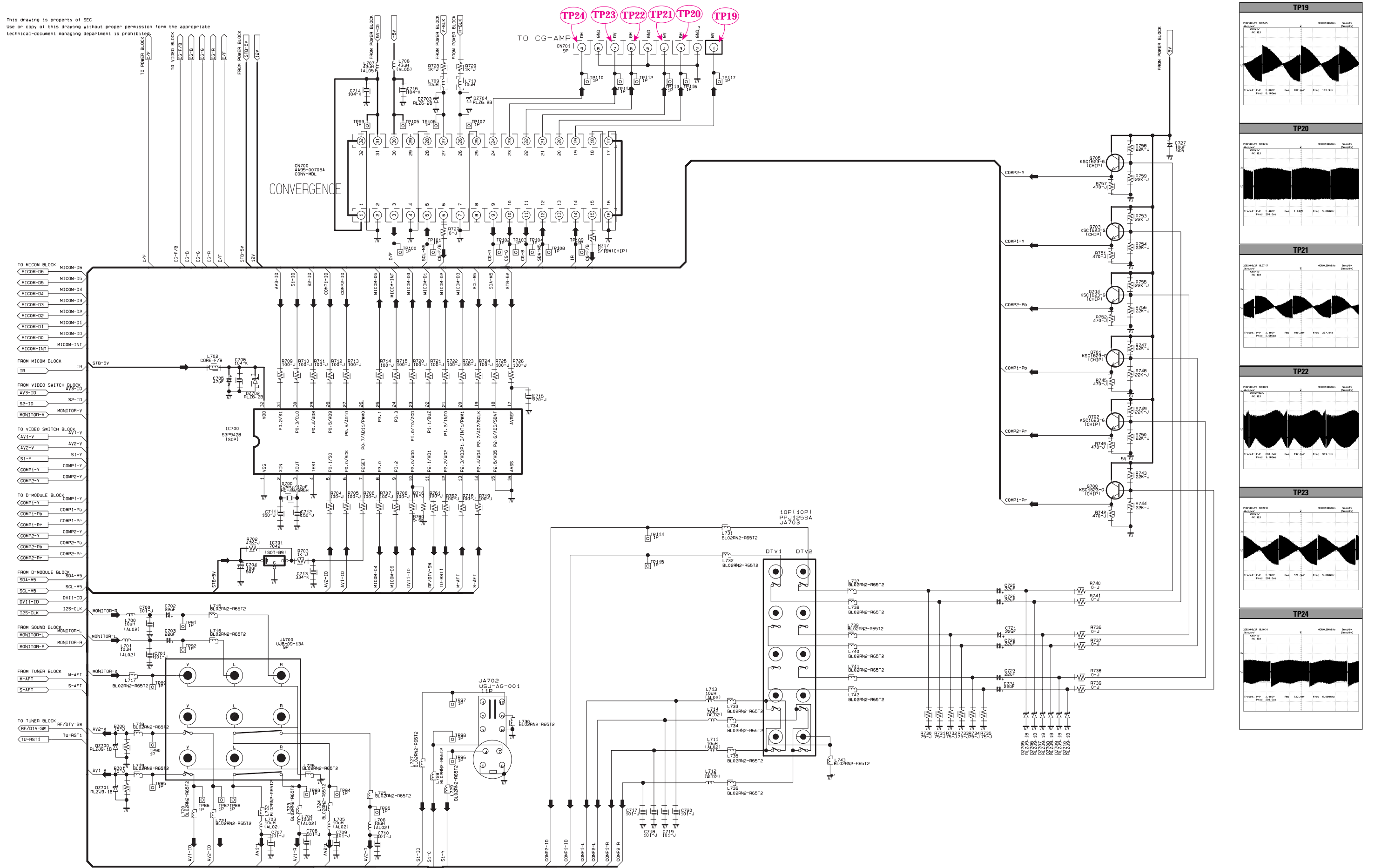
This drawing is property of SEC
Use or copy of this drawing without proper permission from the appropriate
technical-document managing department is prohibited.



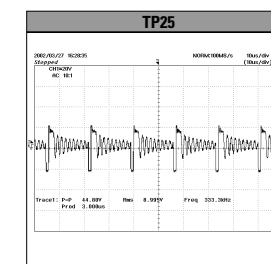
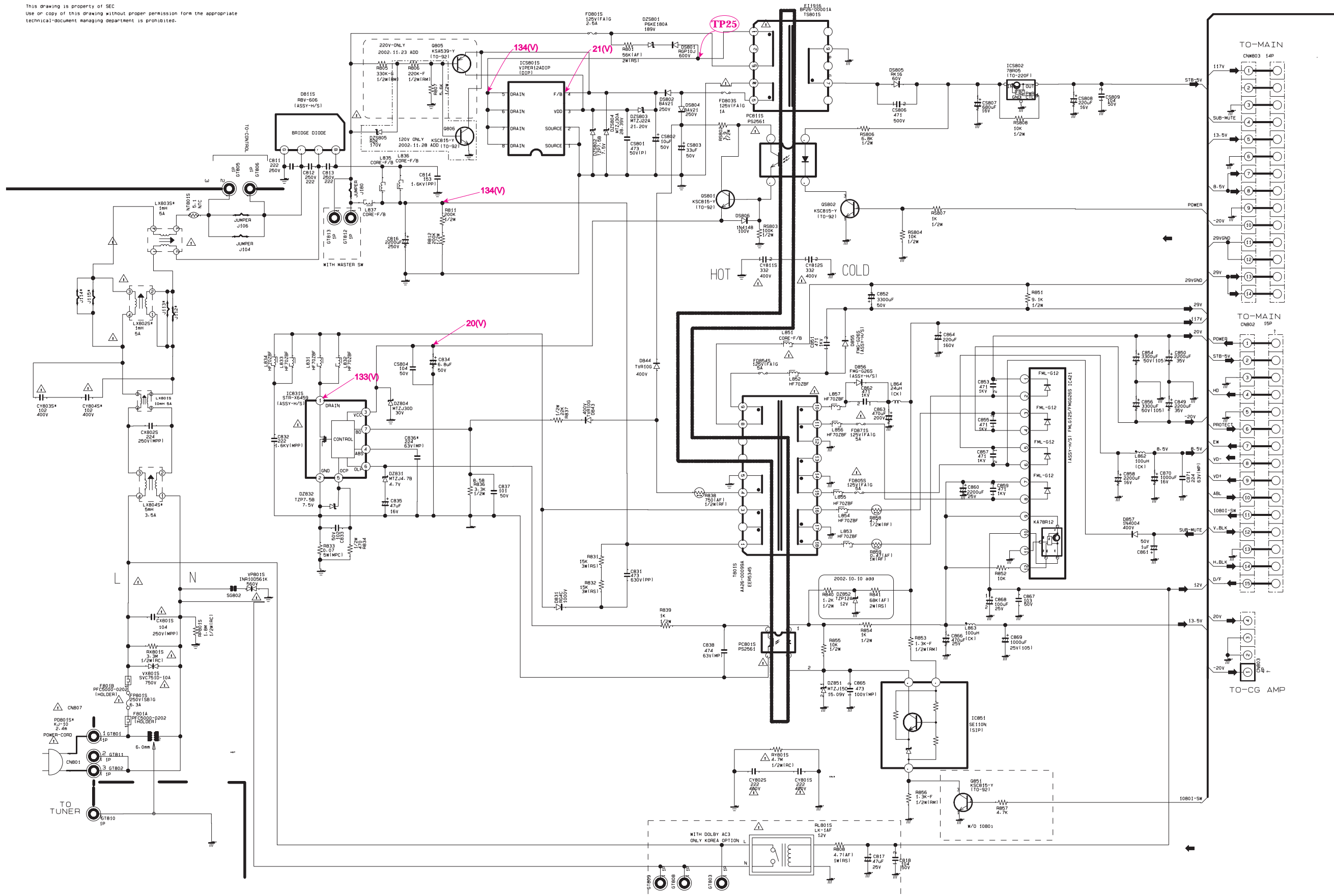
DIP1
DIP2
DIP3
DIP4
DIP5
DIP6
DIP7
DIP8
DIP9
DIP10
DIP11
DIP12
DIP13
DIP14
DIP15
DIP16
DIP17
DIP18
DIP19
DIP20
DIP21
DIP22
DIP23
DIP24
DIP25
DIP26
DIP27
DIP28
DIP29
DIP30
DIP31
DIP32
DIP33
DIP34
DIP35
DIP36
DIP37
DIP38
DIP39
DIP40
DIP41
DIP42
DIP43
DIP44
DIP45
DIP46
DIP47
DIP48
DIP49
DIP50
DIP51
DIP52
DIP53
DIP54
DIP55
DIP56
DIP57
DIP58
DIP59
DIP60
DIP61
DIP62
DIP63
DIP64
DIP65
DIP66
DIP67
DIP68
DIP69
DIP70
DIP71
DIP72
DIP73
DIP74
DIP75
DIP76
DIP77
DIP78
DIP79
DIP80
DIP81
DIP82
DIP83
DIP84
DIP85
DIP86
DIP87
DIP88
DIP89
DIP90
DIP91
DIP92
DIP93
DIP94
DIP95
DIP96
DIP97
DIP98
DIP99
DIP100

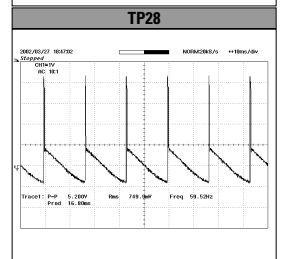
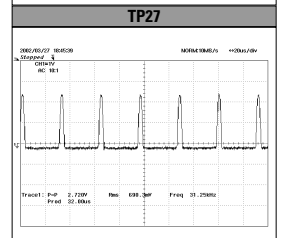
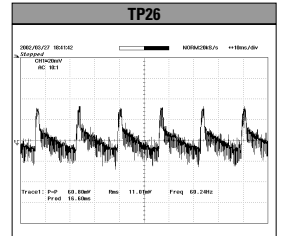
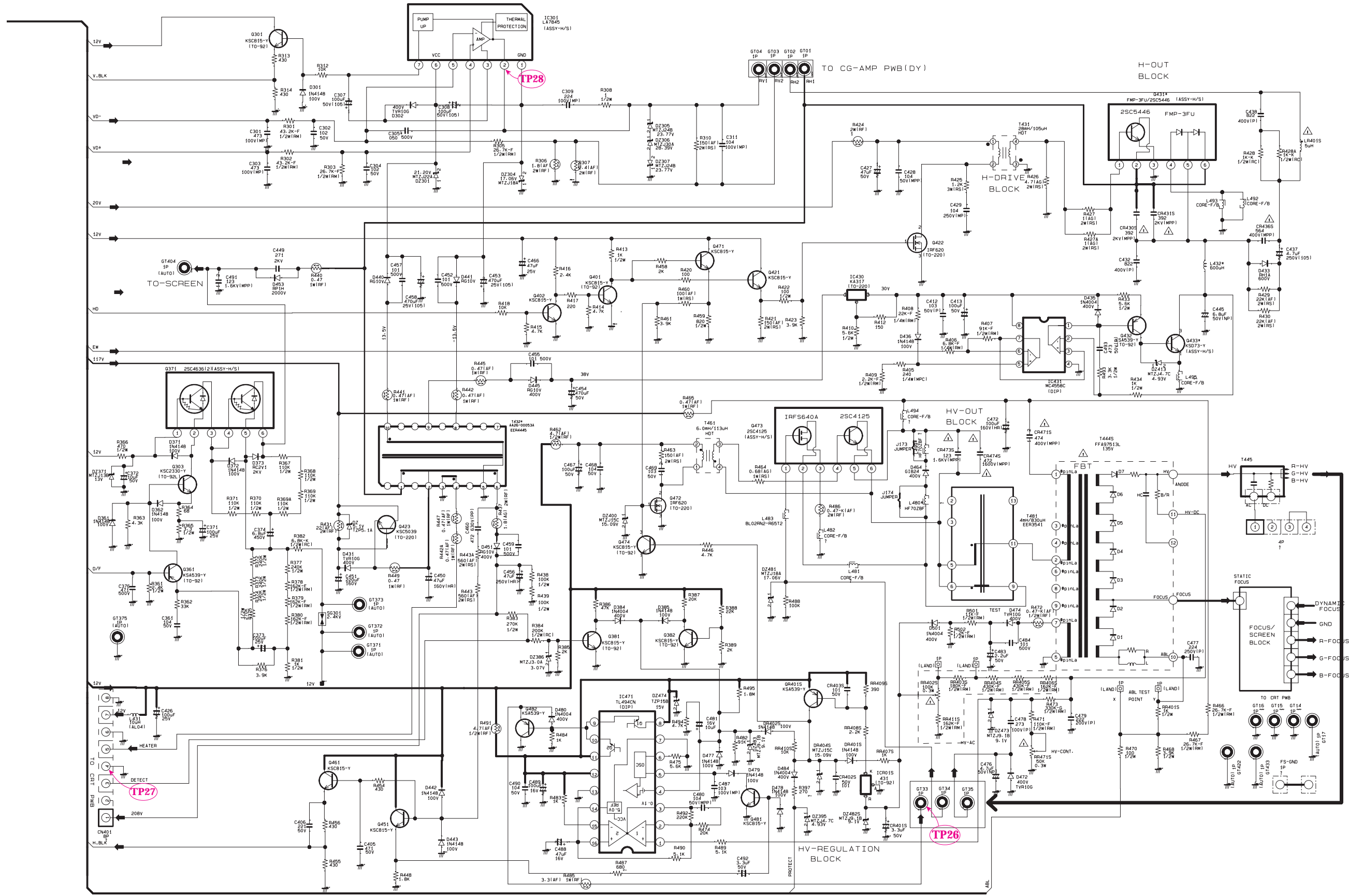
6-5 MAIN-5

This drawing is property of SEC
Use or copy of this drawing without proper permission from the appropriate
technical-document managing department is prohibited.

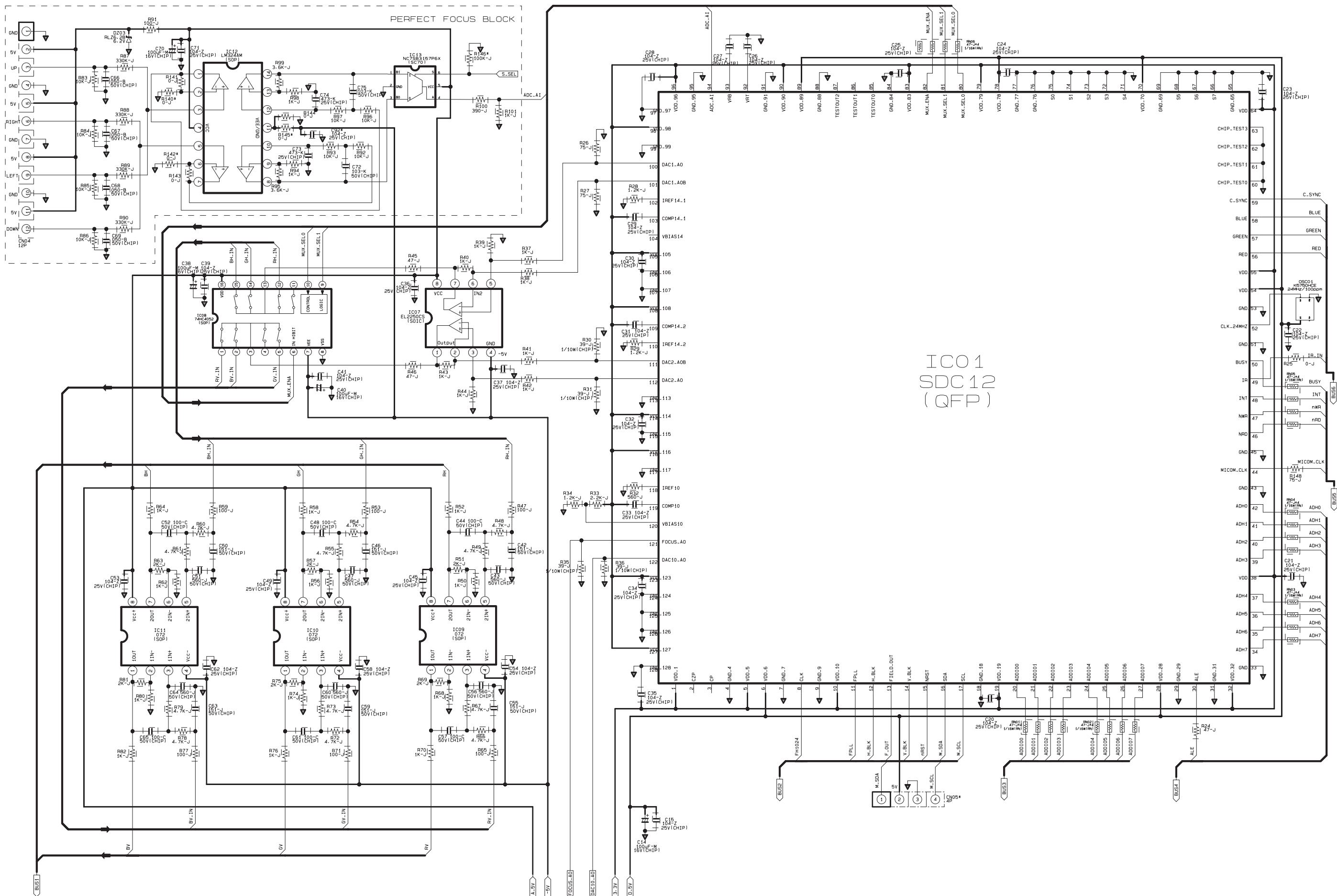


This drawing is property of SEC.
Use or copy of this drawing without proper permission from the appropriate
technical-document managing department is prohibited.





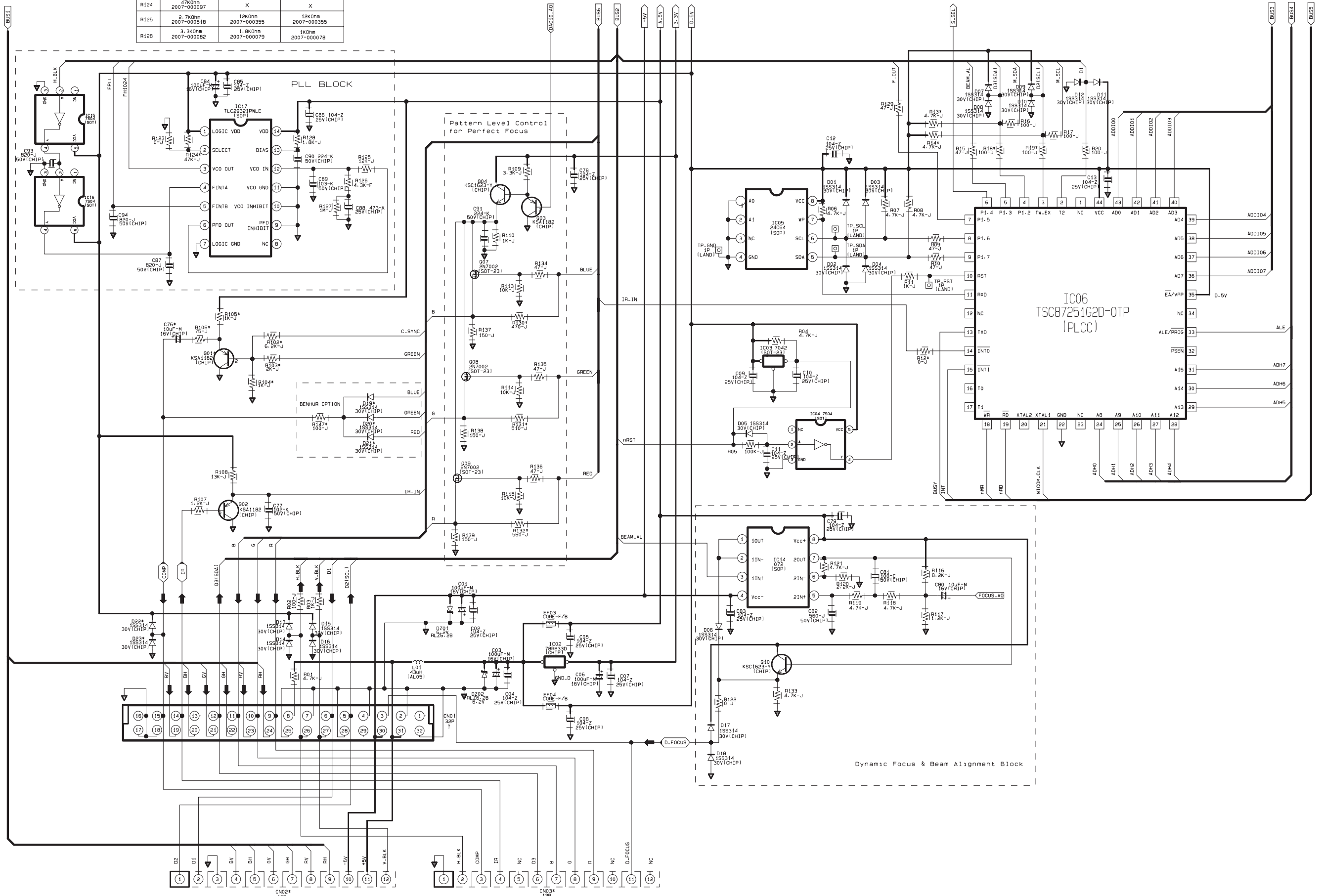
This drawing is property of SEC
Use or copy of this drawing without proper permission from the appropriate
technical-document managing department is prohibited.

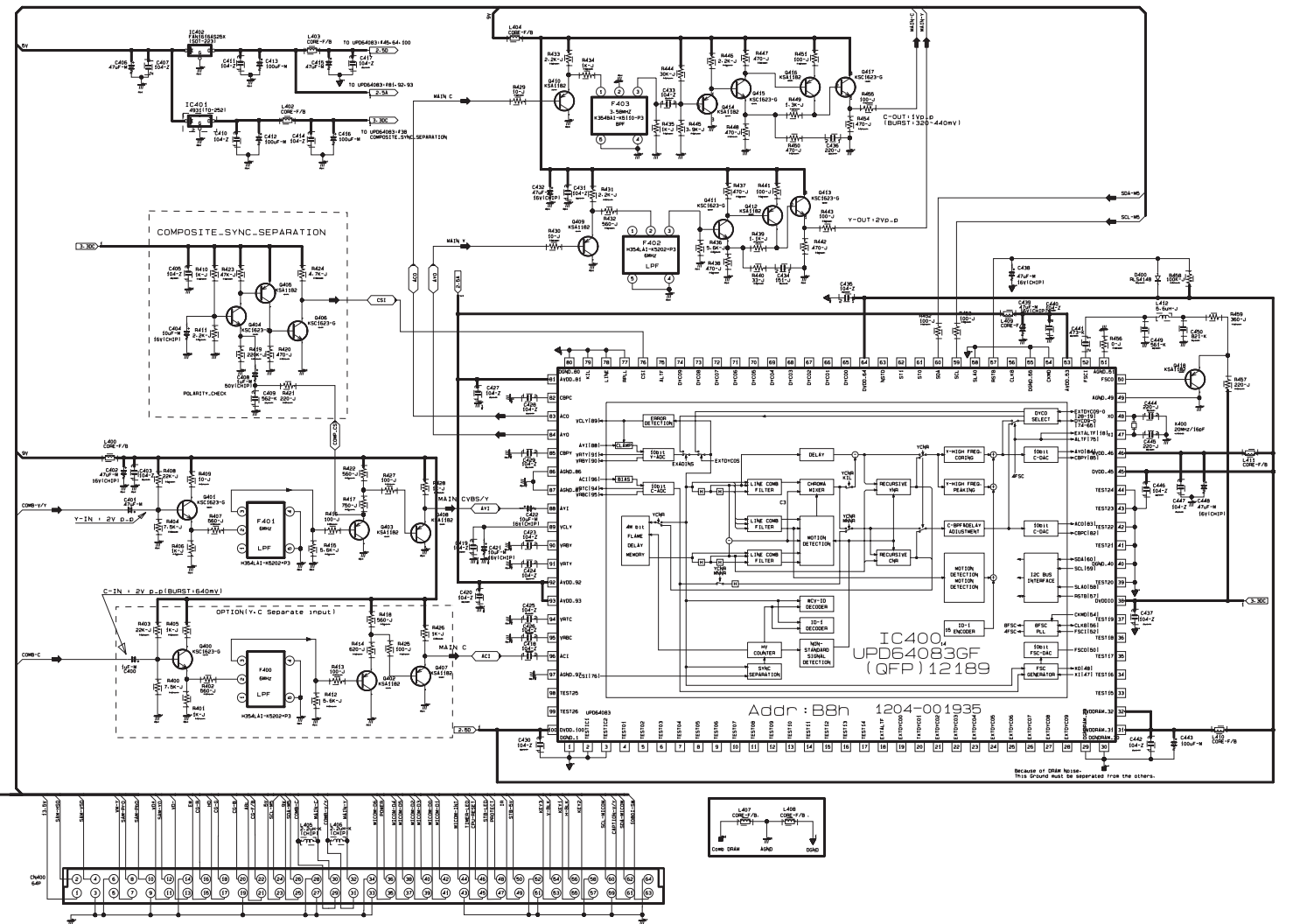
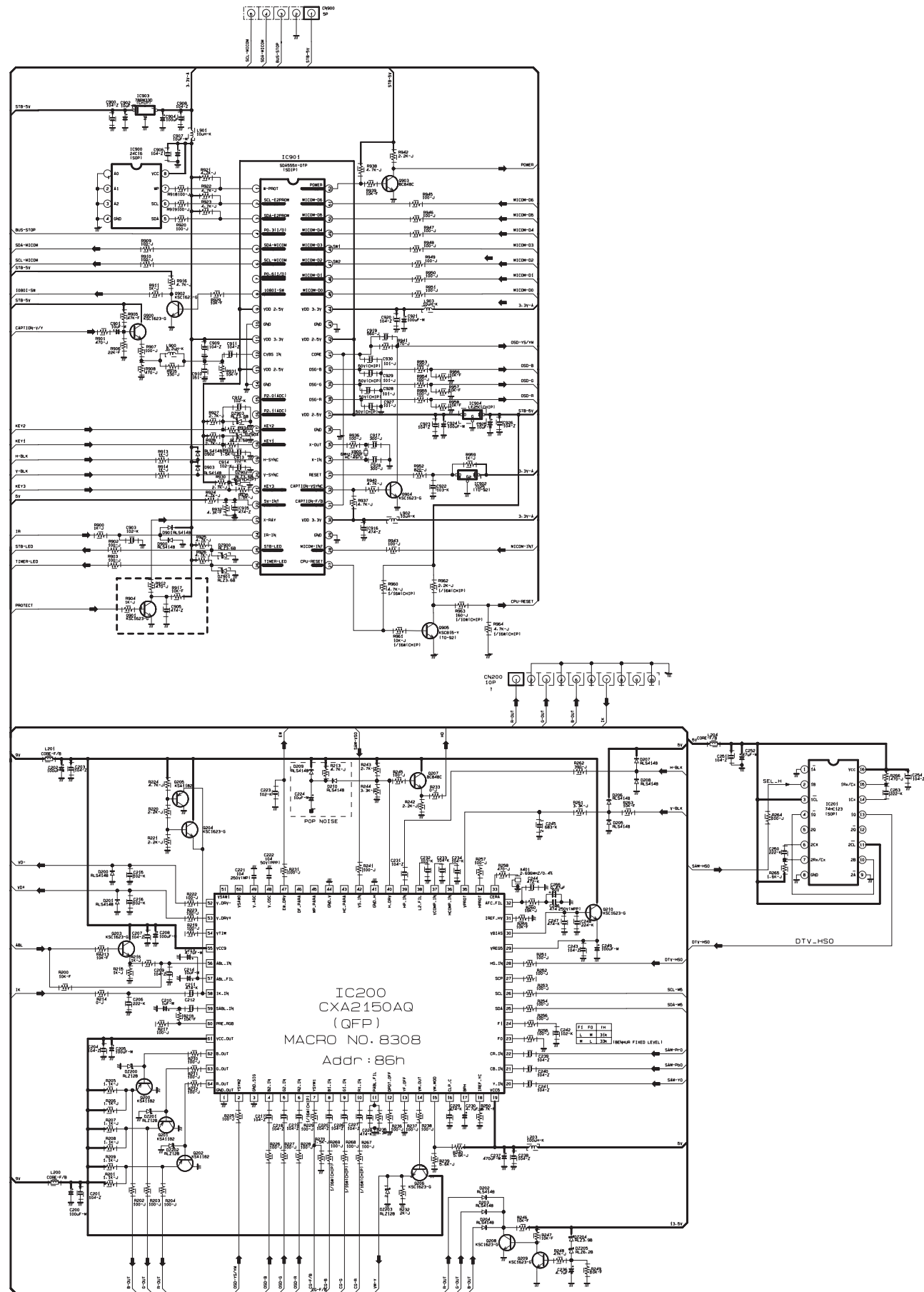


6-9 CG MDL-2

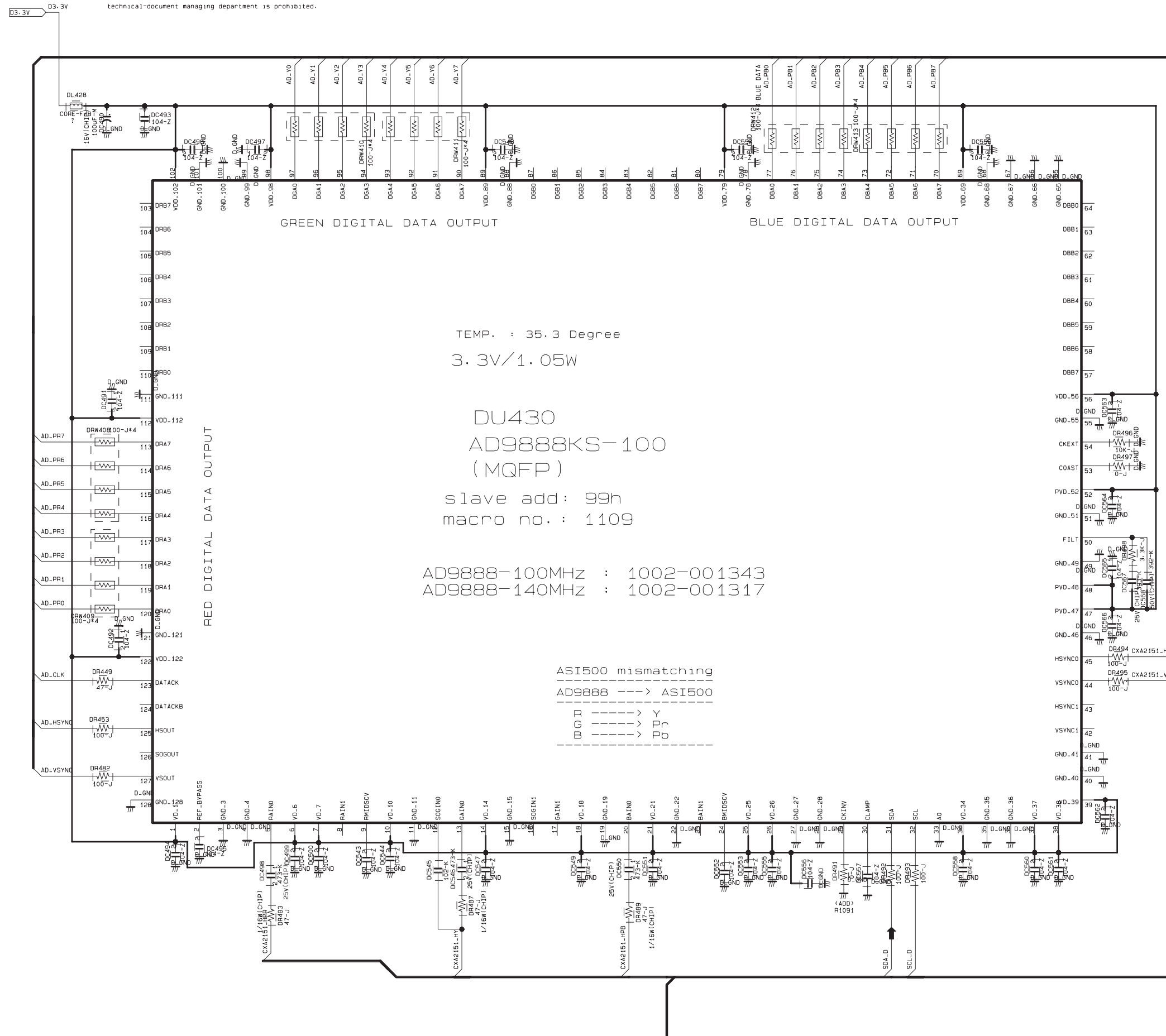
This drawing is property of SEC
 Use or copy of this drawing without proper permission from the appropriate
 technical-document managing department is prohibited.

	1H	2H	3H
R123	X	00nm 2007-000070	00nm 2007-000070
R124	47kOhm 2007-000097	X	X
R125	7.7kOhm 2007-000518	12kOhm 2007-000395	12kOhm 2007-000395
R126	3.3kOhm 2007-000082	1.8kOhm 2007-000079	1kOhm 2007-000078



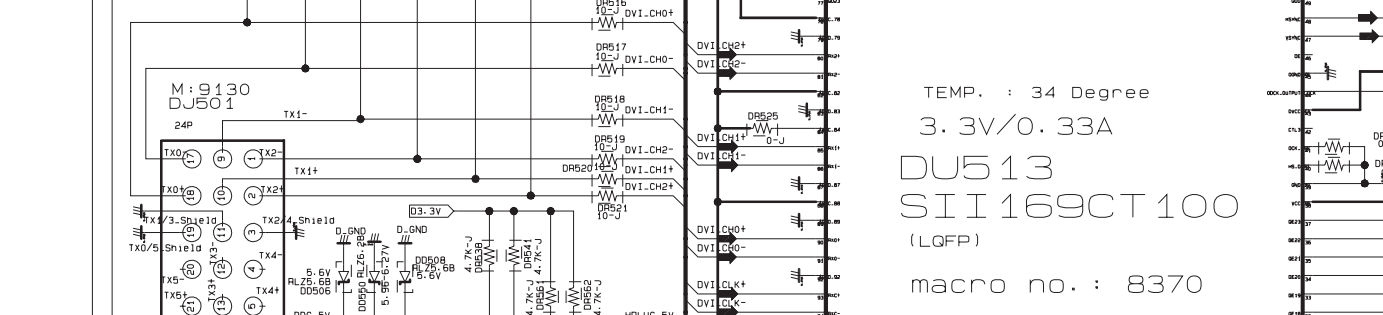
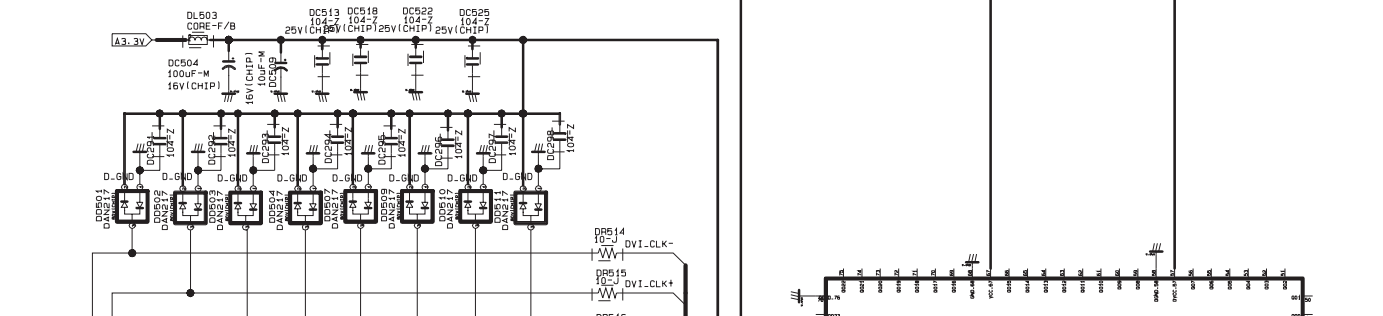
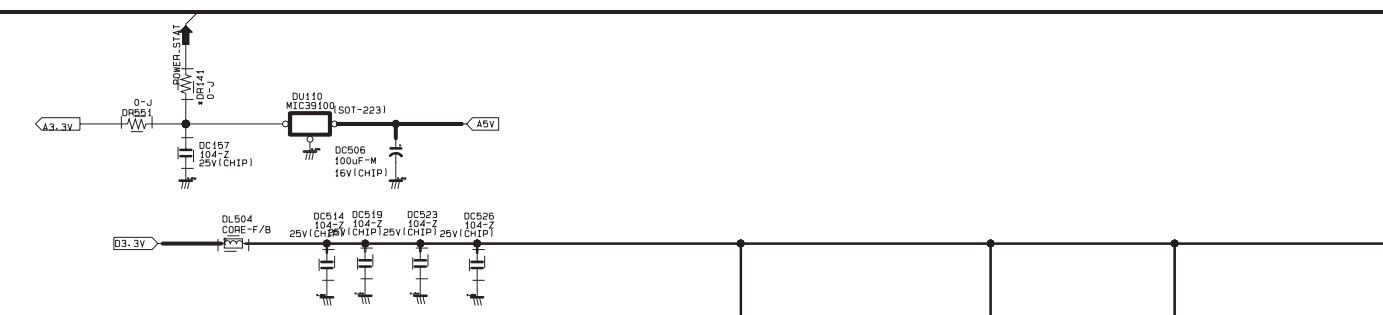
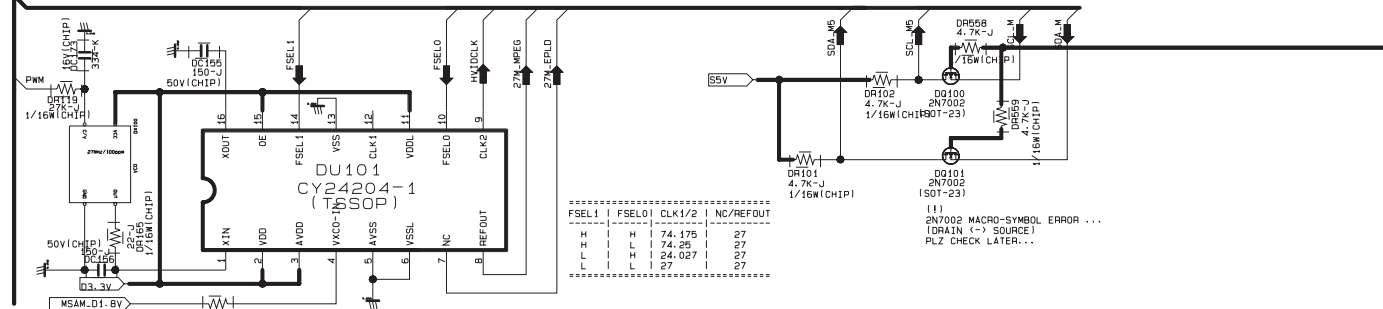


This drawing is property of SEC
 Use or copy of this drawing without proper permission from the appropriate
 technical-document managing department is prohibited.

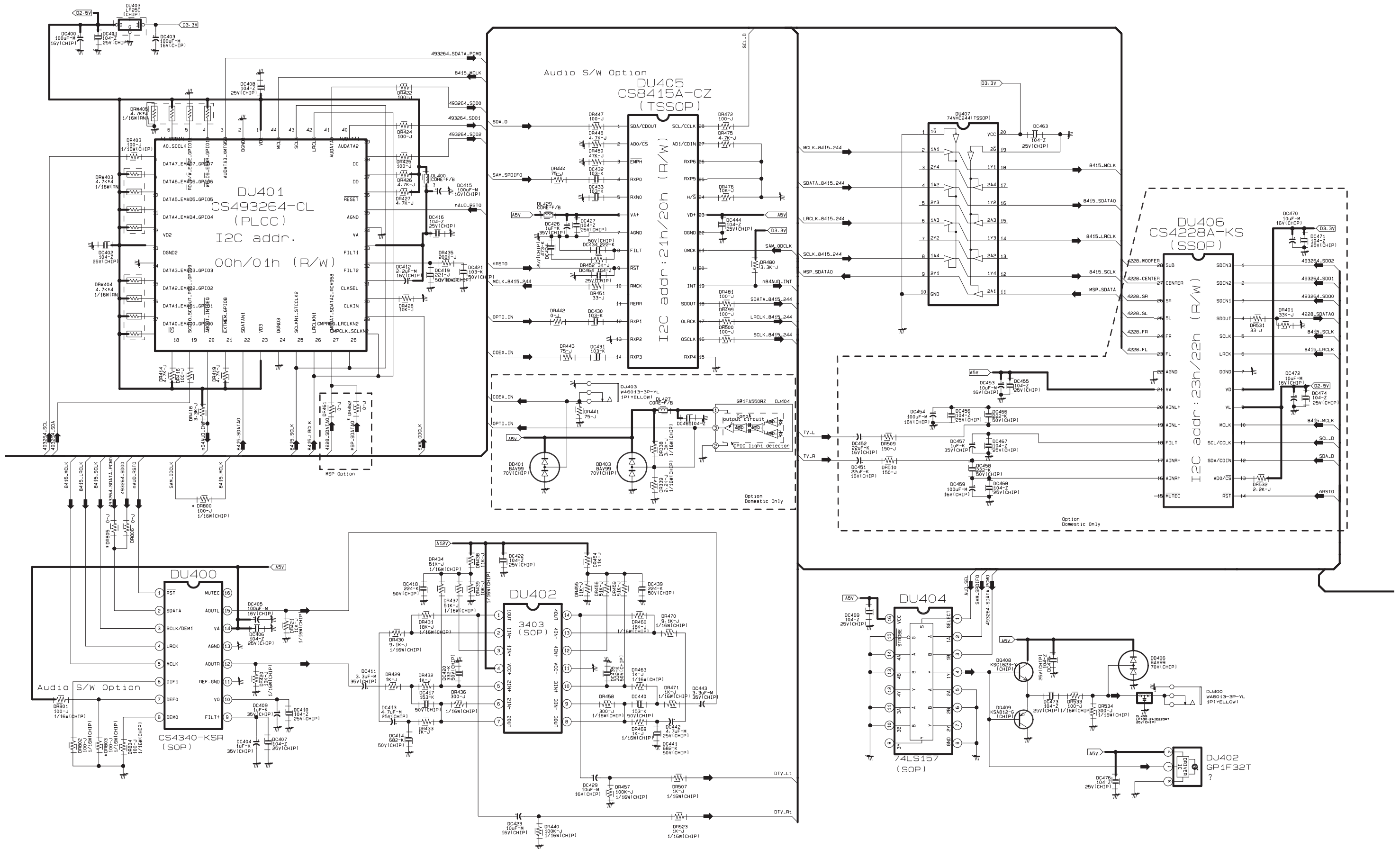


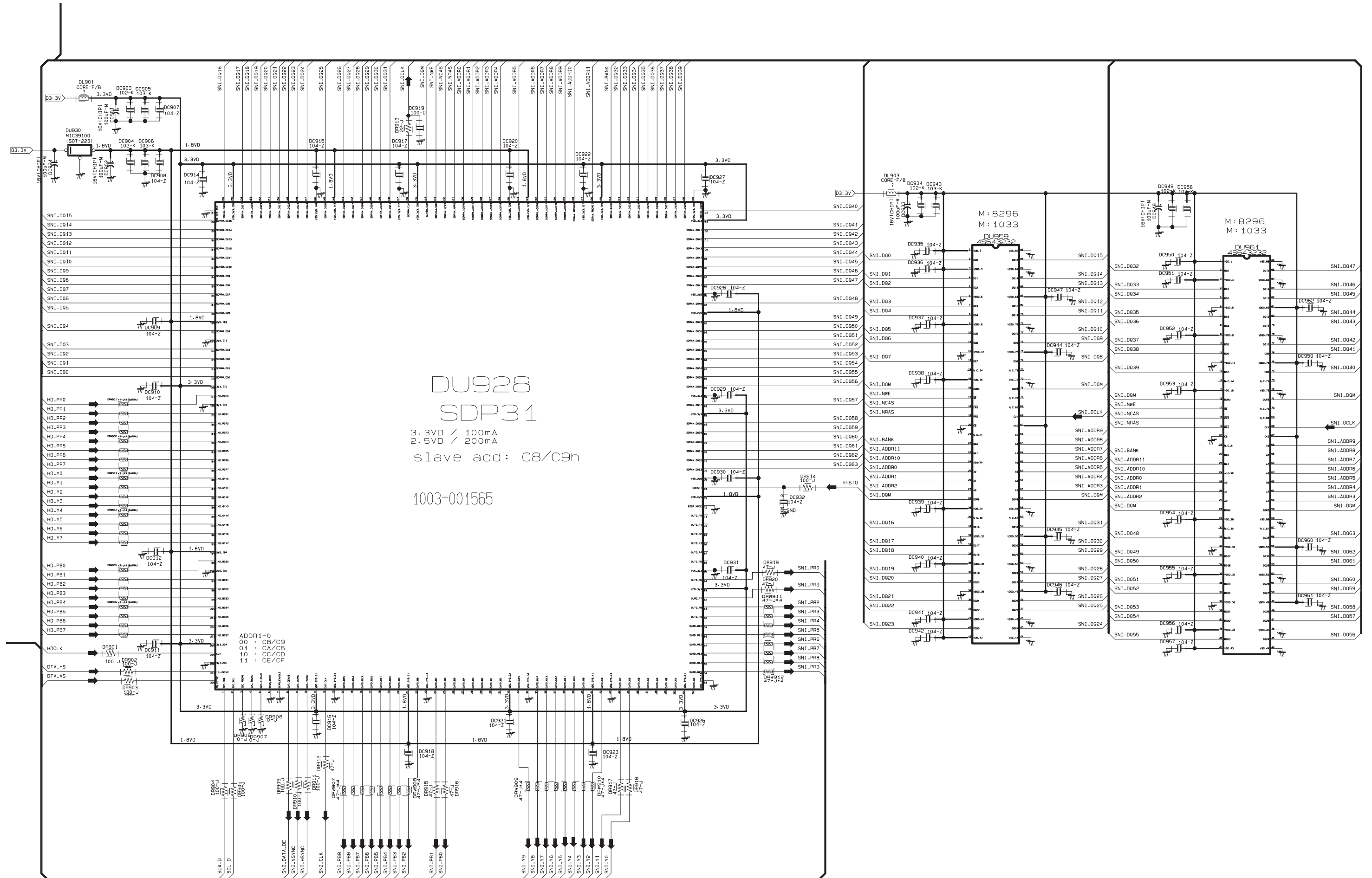
6-15 D-MDL-5

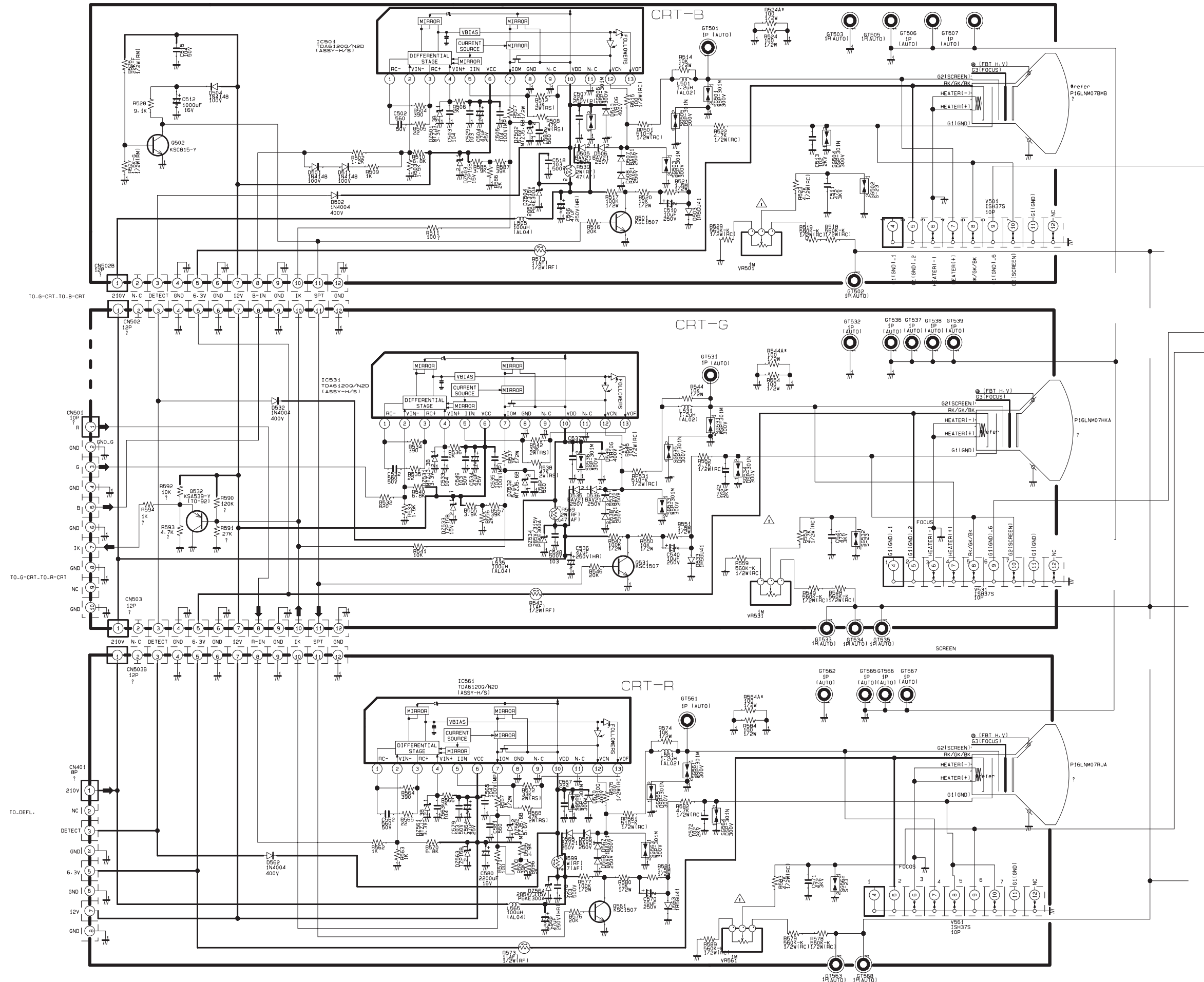
This drawing is property of SEC
Use or copy of this drawing without proper permission from the appropriate
technical-document managing department is prohibited.



This drawing is property of SEC
Use or copy of this drawing without proper permission from the appropriate
technical-document managing department is prohibited.







6-21 VM MDL / CONTROL / AV SIDE / DY JACK / SENSOR

